

Before using the accessories for the first time, read these instructions for use. Also read the operating manual of the device the accessories are used with.

## 1 Product description

### 1.1 Main illustration

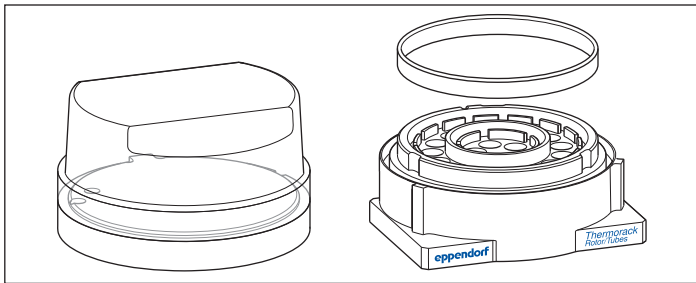


Fig. 1: Thermorack rotor/tubes with lid and adapter

### 1.2 Features

The thermorack rotor/tubes can be tempered on a thermal module in the *epMotion*. The thermorack rotor/tubes reduces the time until the samples reach the target temperature.

The *epMotion* can fill the micro test tubes with sample material. The *epMotion* can take sample material from micro test tubes. The *epMotion* can fill the positions on the Qiagen Rotor-Disc with sample material. The *epMotion* cannot take sample material from the positions on the Qiagen Rotor-Disc.

The following labware can be inserted in the thermorack rotor/tubes:

- a Qiagen Rotor-Disc 72 or a Qiagen Rotor-Disc 100
- in addition a maximum of 20 Eppendorf micro test tubes 1.5 mL/2.0 mL or a maximum of 20 Sarstedt screw cap tubes 1.5 mL

The thermorack rotor/tubes and the lid can be used with *epBlue* from software version 40.4. Separate labware definitions are available for the thermorack rotor/tubes and the lid. *epBlue* contains the labware definitions starting at software version 40.4. They can be downloaded from the webpage [www.eppendorf.com](http://www.eppendorf.com).

There is a ring in the delivery package. The ring presses the Qiagen Rotor-Disc onto the thermorack rotor/tubes.

## 2 Safety

### 2.1 Warnings for intended use



**CAUTION! Risk of burns at the hot thermorack.**

During operation, the thermorack reaches temperatures of up to 96 °C.

- ▶ Do not touch the hot thermorack.
- ▶ Wait until the thermorack has completely cooled down.

## 3 Operation

### 3.1 Placing the thermorack on the worktable

The thermorack rotor/tubes occupies 2 positions on the worktable. The position directly behind the thermorack cannot be equipped with labware.

During application, the lid of the thermorack rotor/tubes can be removed and transported by means of the gripper. The gripper places the lid on an adapter.

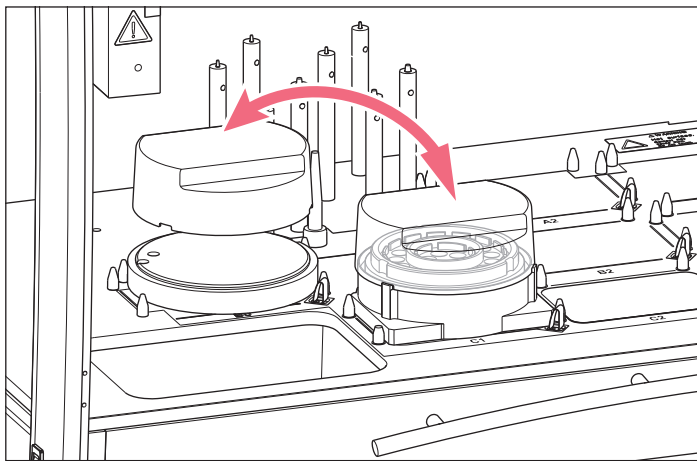


Fig. 2: Placing the thermorack and adapter on the worktable

1. Place the equipped thermorack rotor/tubes on a position in the following row:
  - *epMotion* 5070: row B
  - *epMotion* 5073: row C
  - *epMotion* 5075: row C
2. Place the ring on the Qiagen Rotor-Disc.
3. Place the adapter for the lid of the thermorack rotor/tubes on position B0.  
 The adapter for the lid cannot be placed on the *epMotion* 5070 and *epMotion* 5070. The devices do not have the place B0.

#### 4 Ordering information

Order no. (International)	Description
5075 751.526	<b>Thermorack Rotor/Tubes</b>
5075 751.640	<b>Lid for Thermorack Rotor/Tubes</b> with adapter for placing the lid on the <i>epMotion</i> worktable
0030 120.086	<b>Eppendorf Safe-Lock Tubes 1.5 mL</b> 1,000 pieces, clear Eppendorf Quality
0030 120.094	<b>Eppendorf Safe-Lock Tubes 2.0 mL</b> 1,000 pieces, clear Eppendorf Quality

**Instructions for use**  
Thermorack Rotor/Tubes  
English (EN)

**Your local distributor: [www.eppendorf.com/contact](http://www.eppendorf.com/contact)**  
Eppendorf AG · 22331 Hamburg · Germany  
[eppendorf@eppendorf.com](mailto:eppendorf@eppendorf.com) · [www.eppendorf.com](http://www.eppendorf.com)